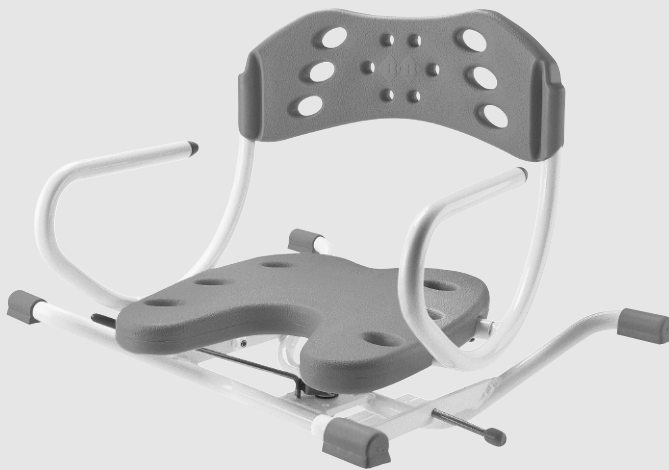


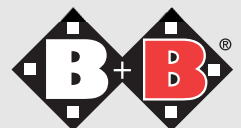
# Bischoff & Bischoff

Instruction manual

## Aruba



Enjoy mobility.



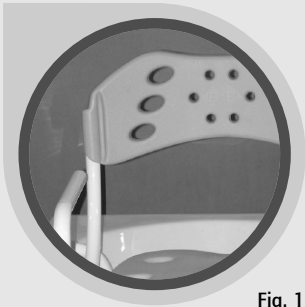
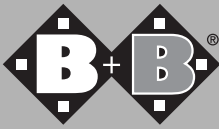


Fig. 1

## **Aruba rotating seat (with seat back)**

### **Dear customer,**

with the purchase of this B+B shower stool you are now the owner of a high-quality german product that will make home care much easier.

This instruction manual will familiarise you with the use and maintenance of your B+B shower stool and will assist in making your life safer.

We hope you enjoy your new product.

### **1. Declaration of Conformity**

B+B as the manufacturer of the product declares that the Aruba rotating seat fully conforms to the requirements of Directive 93/42/EEC.

### **2. Information on using the product**

The Aruba rotating seat is designed exclusively for use while seated in a bath tub for washing.

### **3. Purpose - Indications**

Functional movement or posture disorder (e.g. neuromuscular diseases or with vertigo), reduced physical functions (e.g. amputations, paralysis, joint diseases, neuromuscular diseases)

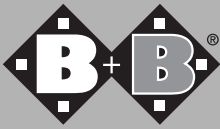
#### **4. Caution - safety instructions - Risk analysis as per DIN EN ISO 13485**

- An assistant is required for entering and leaving the seat.
- When the seat is permanently fastened to the frame beware of the danger of becoming jammed.
- Adjust screws correctly.
- Make sure that the frame is correctly seated
- Seat is designed for sitting only

#### **5. Use**

The rotating seat is installed on the edges of the bath tub. Rotate the seat (by releasing the locking lever) in the direction of entry before sitting down (this makes it easier to enter the bath). Pull the lever up to lock it when the after sitting down. The seat can be rotated in either direction.

- - The Aruba rotating seat is designed for standard bath tubs with outer dimensions of 60-66 cm. - -



## 6. Installation

Insert sides into seat frame and fasten from below with the sheetmetal screws.

Back rest  
Frame  
Side section  
Seat frame  
Seat

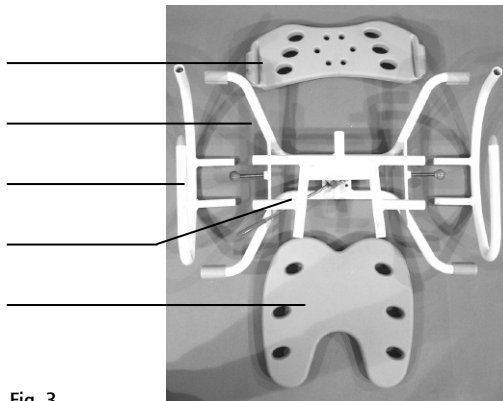
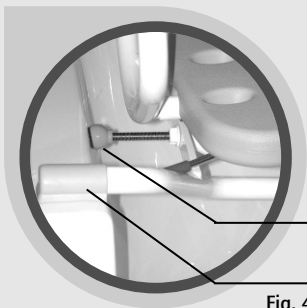


Fig. 3

## 7. Adjusting the rotating seat

Please position the Aruba with the telescopic bars on the edge of the bath tub. Depending on the size of the bath tub the Aruba seat width can be adjusted from 700 to 760 mm (6 positions at intervals of 10 mm).



Adjusting screw  
Telescopic bar

Fig. 4

Adjust the screw so the rubber knobs are tightly positioned on the inside of the bath tub. (see Fig. 4).

## 8. Installing the seat back

The seat back is positioned on the side frame component (see Fig. 5) and fastened in the holes in the framework and seat back with fastening buttons (see Fig. 5)

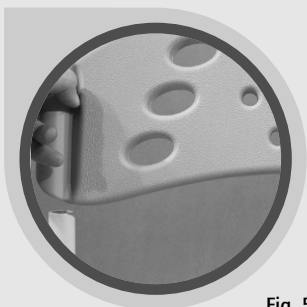


Fig. 5

## 9. Rotating seat

The seat is rotated by lifting the locking lever and rotating the seat around its axis (see Fig. 6).

Locking lever

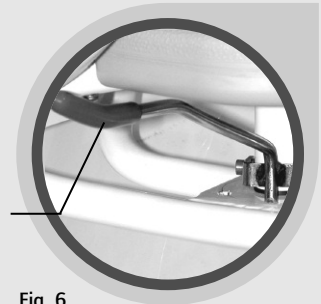


Fig. 6

Lift the lever and rotate the seat to the desired position. The seat locks automatically (see technical data)

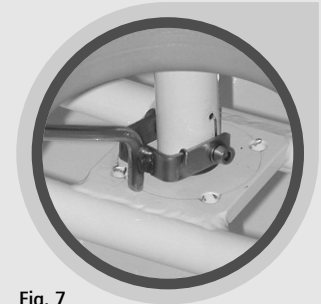


Fig. 7

## 10. Installing and removing the seat

The seat is locked to the seat frame by pressing it down forcefully (see Fig. 8). To remove the seat hold it by the side of the frame and remove it.

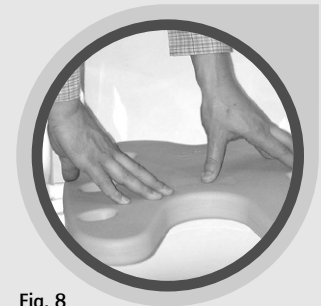
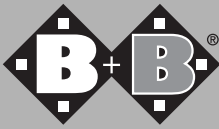


Fig. 8

## 11. Technical data

- Max. load capacity: 120 kg
- W/H/D (in mm): 700-760/540/510
- Weight: 5.9 kg
- Seat width/depth: 400/400 mm
- Height of seat above edge of bath tub: 60 mm
- Rotates: 360° (4 x 90°)
- Heat resistance: up to 125°C
- Colour: blue or white



## **12. Cleaning and disinfecting the rotating seat**

Clean and disinfect the rotating seat with standard cleaners and disinfectants only.

## **13. Adjustment and repair tools**

- 1 x screwdriver
- 1 x Allen key no. 5

## **14. Marking of the product**

A sticker is attached to the frame of the product with the product identification/serial number/max. user weight/company address.

## **15. Standard equipment**

- 11 x base frame and seat frame with rotating axis (assembled)
- 1/1x side section left/right
- 1 x B+B seat
- 1 x B+B back rest
- 2 x M10 adjustment screw with plastic buffer
- 2 x M10 plastic locknut
- 2 x blind rivet (plastic white)

## **16. Warranty**

A warranty claim can only be accepted if the product is used under the specified conditions and for the specified purposes. The product must be returned in the original packaging.

## Warranty certificate

(Please note our general business terms and conditions)

**Model:** Aruba bath tub seat

**Serial number:\***

(Please note our general business terms and conditions)

**Dealer:**

**Date and stamp**

\* See the side frame for information stickers

## **Bischoff & Bischoff GmbH**

Becker-Goering-Strasse 13 • D-76307 Karlsbad

Tel.: +49 700/6000 7070 • Fax: +49 700/6000 8080

[www.bischoff-bischoff.com](http://www.bischoff-bischoff.com)

[info@bischoff-bischoff.de](mailto:info@bischoff-bischoff.de)

